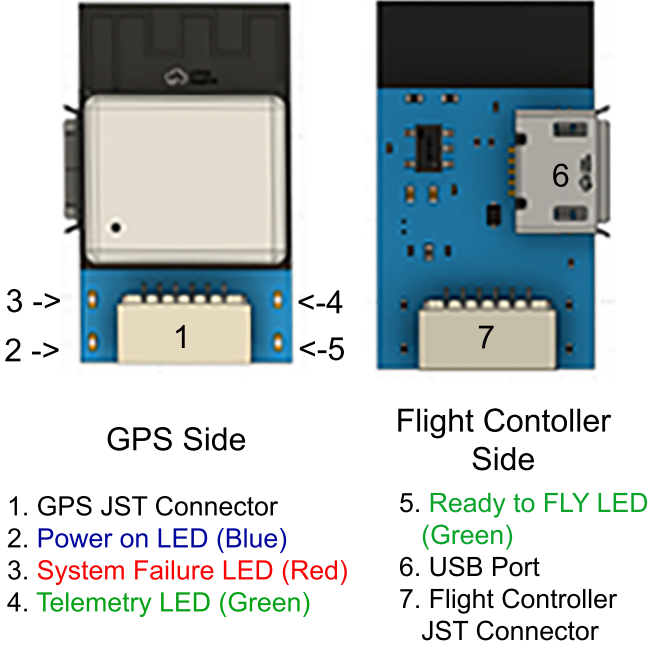
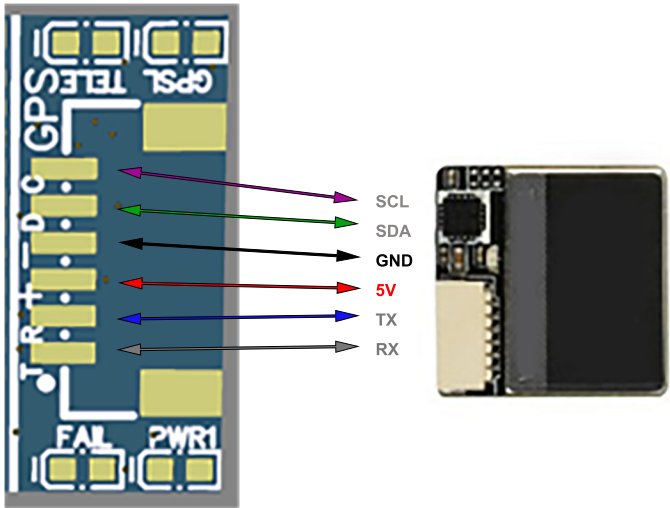


Phoneix UAS mRID Quick Start Guide



GPS Wiring Options

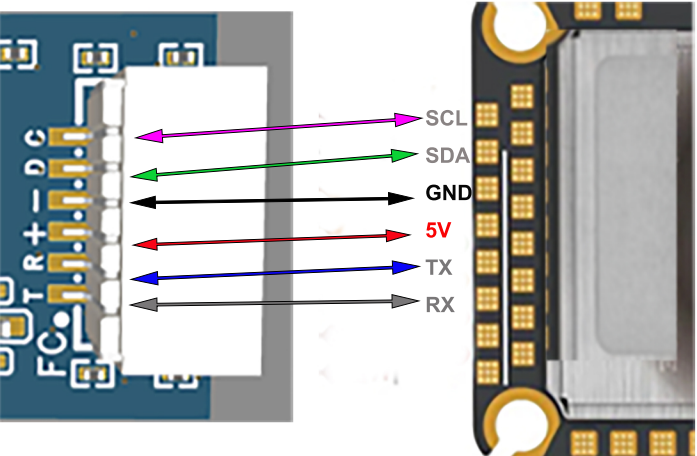
M10 GPS, other gps chips not supported



If using a M10 gps without compass, there will no SCA or SCL wires to connect

To test the mrid broadcast message, plug in a usb cable and use one of the available RID apps,

Flite Controller Wiring Options



Remote id feature, requires + to 5v and - to GND

GPS in Betaflight/Inave requires T to RX and R to TX

Compass requires C to SCL and D to SDA

Betaflight

Requires Betaflight Configurator 10.9 or greater and Betaflight 4.4.3 or greater (4.5 RC for GPS rescue)

Ports Tab -> Enable MSP on your gps UART; baud 57600

Configuratoon Tab -> Enable GPS

GPS Tab - Select MSP, Auto Baud off, Auto Config Off

INAV

Ports Tab -> Enable MSP on your gps UART, baud 57600

GPS Tab - Select MSP